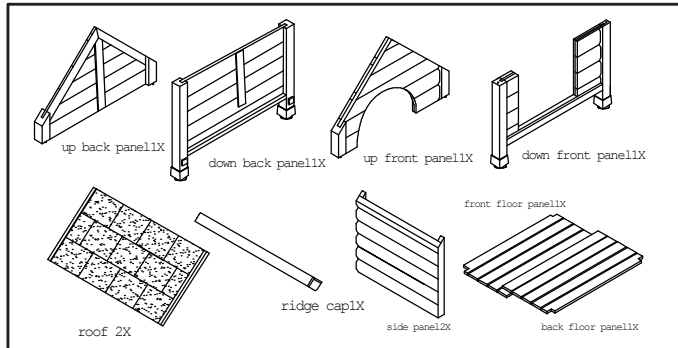
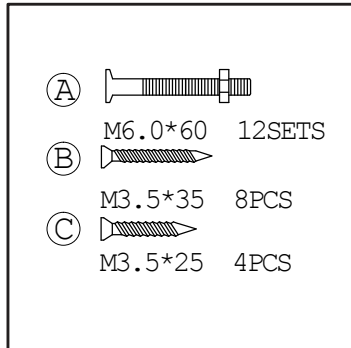
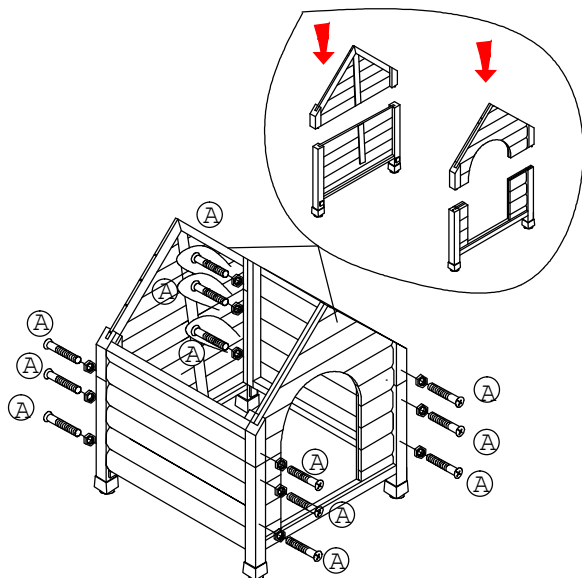


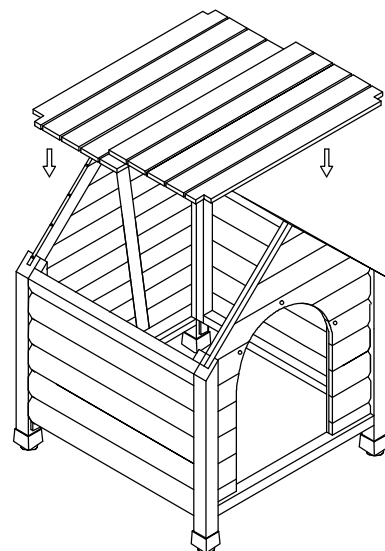
DOG HOUSE ASSEMBLY INSTRUCTIONS



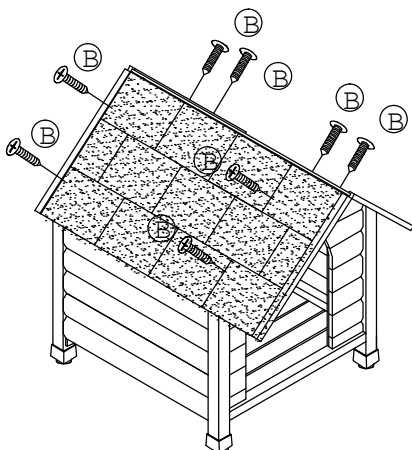
Simple Set-Up



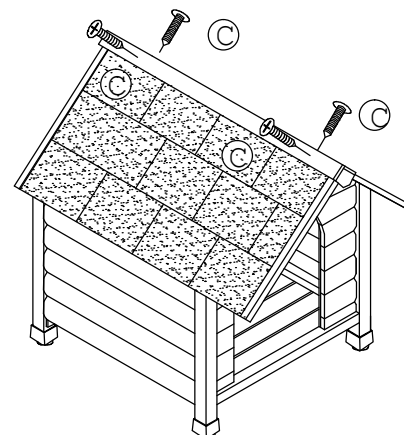
step 1 : secure the front,back and side panels with screws A.



step 2 : put in the two floor panels.



step 3 : attach the roofs with screws B.



step 4 : secure the ridge cap to the roof with scews C.

