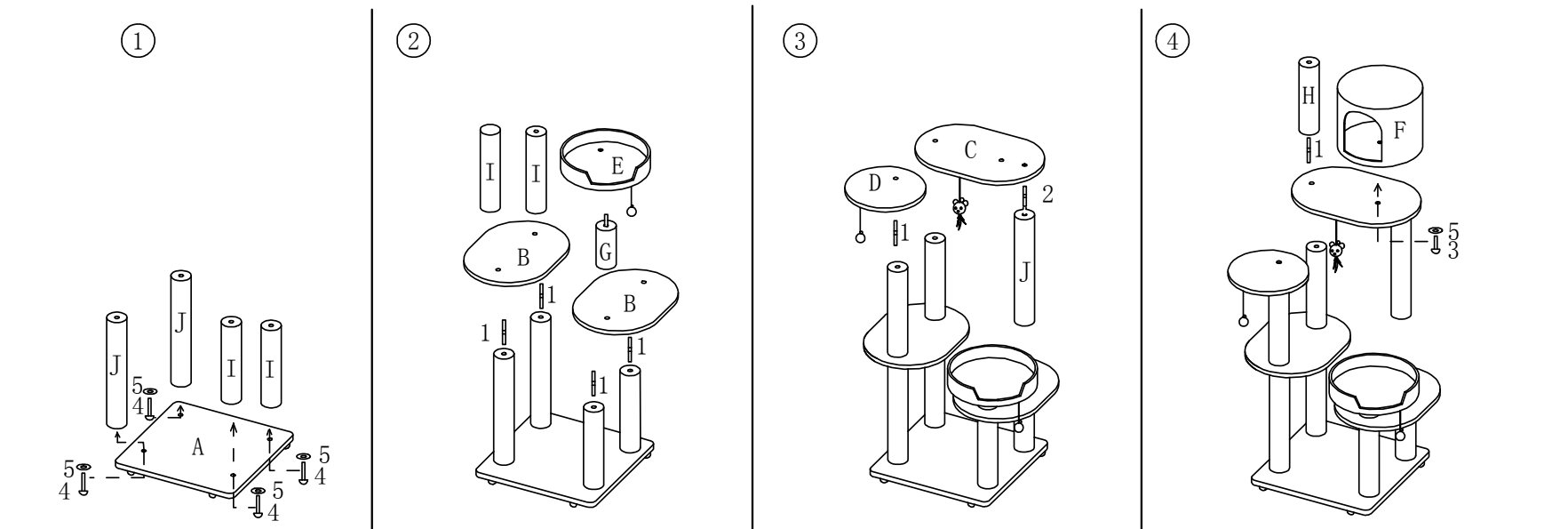
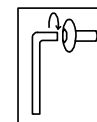


50265

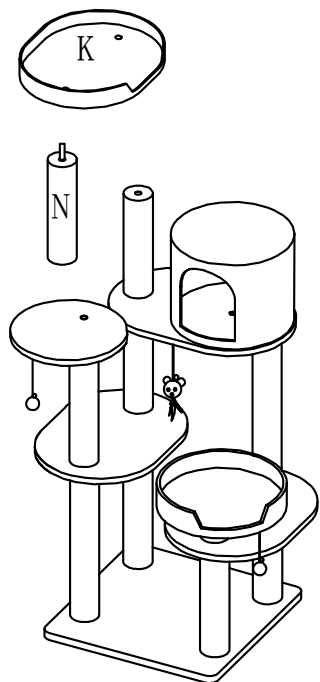
Natural Home IV



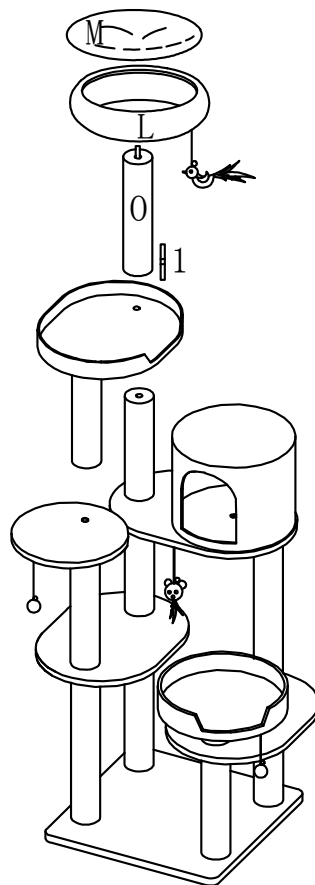
1X		60*57*2.5cm	A	1X		D36*2cm	D	1X		D9*20cm	G	7X		D10*90mm (1)	
2X		55*40*2cm	B	1X		D40*8cm	E	1X		D9*35cm	H	1X		D10*44mm (2)	
1X		60*40*2cm	C	1X		D38*30.5cm	F	4X		D9*40cm	I	1X		D10*35mm (3)	
				3X		D9*55cm	J	5X				4X		D10*60cm (4)	
													5X		D40mm (5)



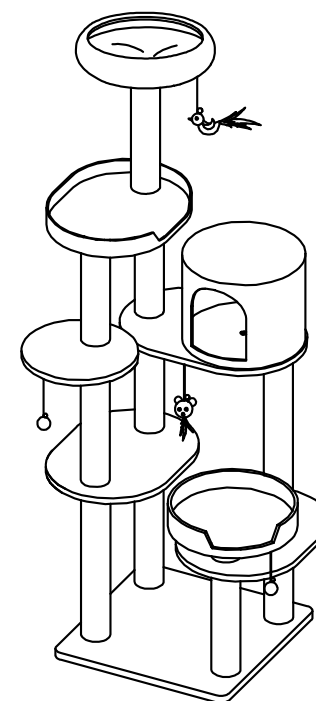
5

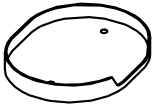

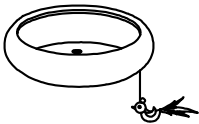




6



7



- | | | | | | | | |
|----|---|-----------|---|----|---|---------|---|
| 1X |  | 50*40*6cm | K | 1X |  | D9*35cm | N |
| 1X |  | D40*12cm | L | 1X |  | D9*40cm | O |
| 1X |  | D40cm | M | | | | |