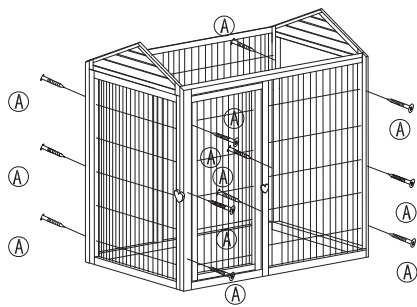
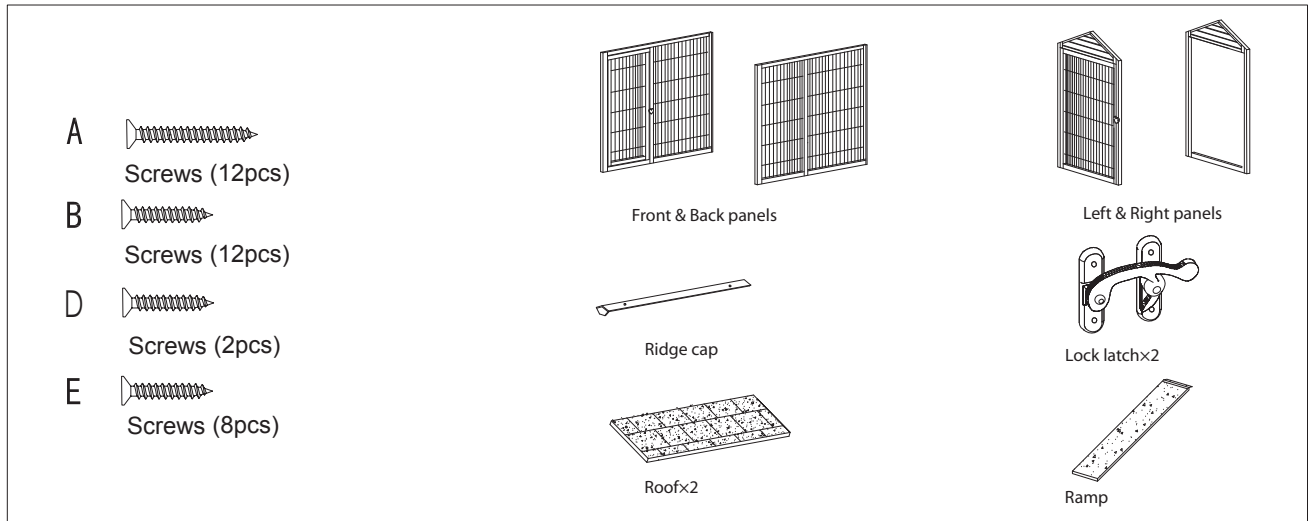
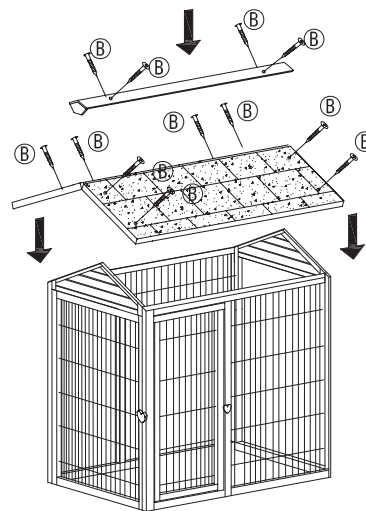


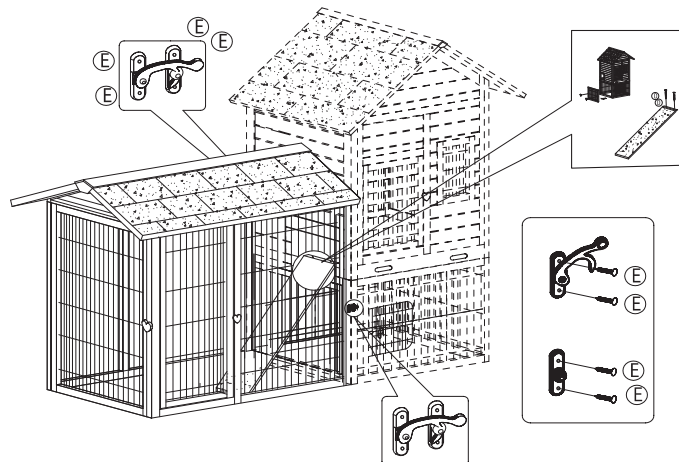
RABBIT HUTCH ASSEMBLY INSTRUCTION



Step 7. Set up wire-mesh panels



Step 8. Secure roof and ridge cap



Step 9. Take out door and knobs, secure ramp, then put them together
(The combination is finished and lock latch).