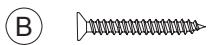


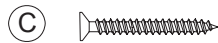
RABBIT HUTCH ASSEMBLY INSTRUCTION



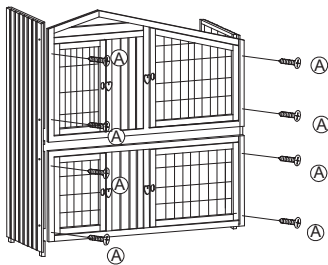
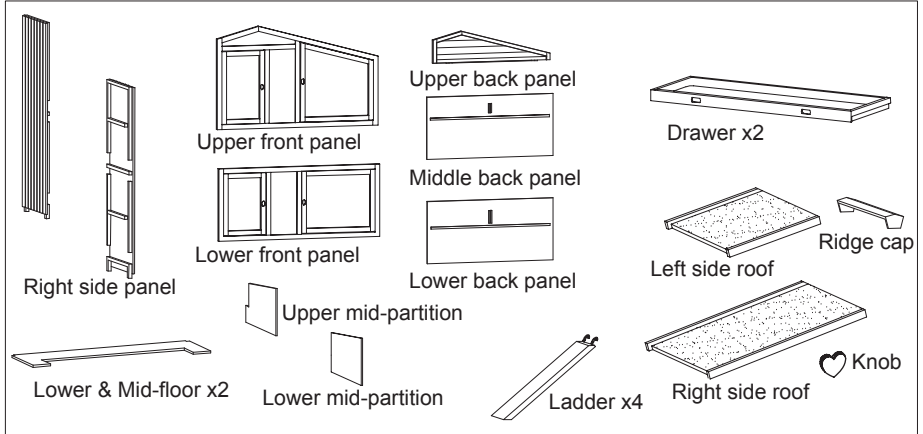
Screws: 8pcs(M3.5*40)



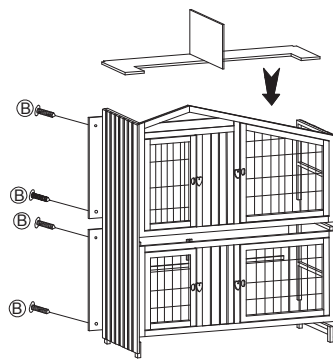
Screws: 12pcs(M3.5*30)



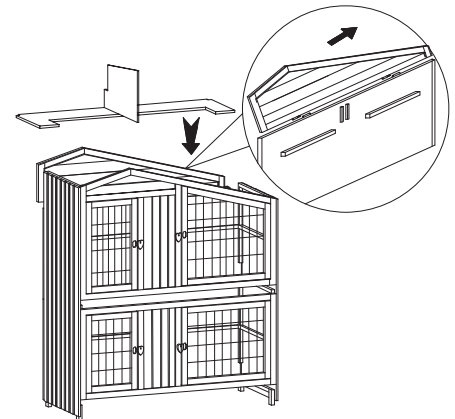
Screws: 8pcs(M3.5*35)



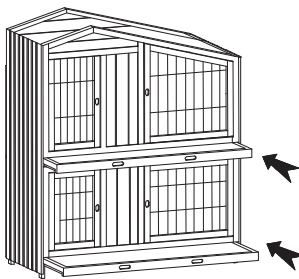
Step 1: Set up and secure front and side panel.



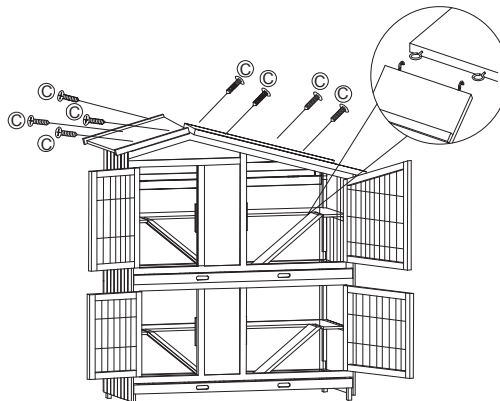
Step 2: Set up back panel and drop in lower partition & floor.



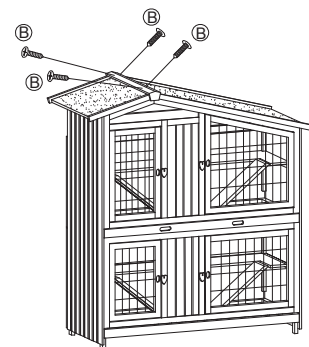
Step 3: Secure upper back panel and drop in mid-partition & floor.



Step 4: Insert drawer.



Step 5: Secure roof and attach ladder onto eyehook.



Step 5: Secure ridge cap.